

JSPR – 160

HEAVY DUTY FOR SERVICE ENTRANCE APPLICATIONS

*Extra
Feature*



FEATURES AND BENEFITS

- Listed to UL 1449 3rd Edition for a Type 1 and Type 2 SPD application.
- **Compact design to allow the SPD to be recessed into the wall.**
- Fail-safe design with individually fused Metal Oxide Varistors (MOVs) eliminating single point failure, protecting against both overcurrent and overvoltage events.
- 200kAIC short circuit rating permits direct bus connection to most electrical services.
- Low let through voltage ensured by the lowest possible impedance path to ground and equal current sharing during surge events.
- 10-year standard warranty with optional 15-year extended warranty.

AVAILABLE CONFIGURATIONS

Model Number	Voltage	Configuration
JSPR160-1P120	120V	1-Phase, 2-Wire + Ground
JSPR160-1P240	240V	1-Phase, 2-Wire + Ground
JSPR160-1S240	120/240V	2-Phase, 3-Wire + Ground
JSPR160-3Y208	120/208V	3-Phase Wye, 4-Wire + Ground
JSPR160-3Y380	220/380V	3-Phase Wye, 4-Wire + Ground
JSPR160-3Y415	240/415V	3-Phase Wye, 4-Wire + Ground
JSPR160-3Y480	277/480V	3-Phase Wye, 4-Wire + Ground
JSPR160-3Y600	347/600V	3-Phase Wye, 4-Wire + Ground
JSPR160-3H240	120/240V	3-Phase High-Leg, 4-Wire + Ground
JSPR160-3D240	240V	3-Phase Delta, 3-Wire + Ground
JSPR160-3D380	380V	3-Phase Delta, 3-Wire + Ground
JSPR160-3D480	480V	3-Phase Delta, 3-Wire + Ground
JSPR160-3D600	600V	3-Phase Delta, 3-Wire + Ground

Units suitable for TT and IT grounded power systems available upon request. Consult factory for model number.

Warranty

10-years (Optional 15-years)

Available Options

Transient Filter	Add suffix -F (Meets UL 1283*)
Stainless Steel Enclosure	Add suffix -S

**Not recommended when using telecommunication rectifiers.*

Stand Alone Option (To be ordered as a Separate Item)

Flush-Mount Plate Kit	JSPR-FMP-120/160
-----------------------	------------------

EMI/RFI Filter Attenuation

Max. Attenuation Frequency	41dB @ 106kHz
----------------------------	---------------

PRODUCT SPECIFICATIONS

Electrical

Maximum Surge Current Rating	160kA per phase, 80kA per mode
Nominal Discharge Current Rating (I-n)	20kA
Operating Frequency	47–63Hz
Connection Method	Pre-wired with 36 inches of #10 AWG conductor
Modes of Protection	All Modes (L-N, L-G, N-G, L-L)
Fault Rating (SCCR)	200kAIC – no upstream over-current protection device (breaker or fuse) required
Response Time	Less than 1 nanosecond
Standard Monitoring	Status indicator lights (one per phase) Standard Dry (From C) Relay Contacts Audible Alarm with Silence Button

Mechanical

Weight	30 lbs (13.6 kg)
Enclosure Type	Powder coated, impact-resistance steel, weather-proof NEMA 4
Installation Location	Indoor / Outdoor
Mounting Method	Dual mounting flanges
Operating Environment	-40° to +158°F (-40° to +70°C)
Altitude	Up to 13,000 ft. (4000 m)
Product Design	Parallel design with individually fused MOVs

Regulatory

UL 1449 3rd Edition Type	Type 1
UL 1283	Yes
IEEE C62.41.1, .2, C62.45	Yes
Listed By	UL

SURGE PROTECTIVE DEVICES

JSPR 160 PERFORMANCE DATA

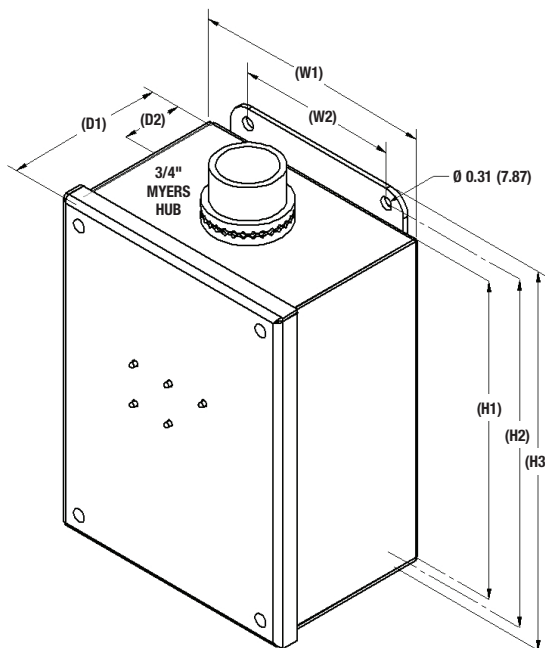
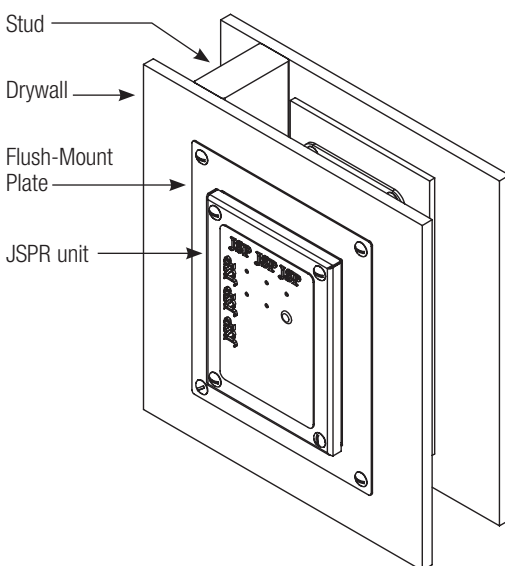
ANSI/IEEE C62.41.1-2002, C62.41.2-2002, & C62.45-2002 Measured Limiting Voltage

Model Number	Voltage Configuration	Protection Mode	MCOV	B3 Ring Wave 6kV, 500A	B3/C1 Combo Wave 6kV, 3kA	C3 Combo Wave 20kV, 10kA	UL 1449 3rd Edition 6kV, 3kA VPR
JSPR160-1P120	1P120	L-N	150V	440V	629V	1413V	700V
		L-G	150V	496V	640V	1360V	700V
		N-G	150V	464V	624V	1360V	700V
JSPR160-1P240	1P240	L-N	320V	347V	525V	1069V	1000V
		L-G	320V	1145V	565V	1117V	1000V
		N-G	320V	1090V	507V	930V	1000V
JSPR160-1S240	1S240	L-N	150V	440V	629V	1413V	700V
		L-G	150V	496V	640V	1360V	700V
		L-L	300V	544V	971V	1707V	1200V
JSPR160-3Y208	3Y208	L-N	150V	440V	629V	1413V	700V
		L-G	150V	496V	640V	1360V	700V
		L-L	300V	544V	971V	1707V	1200V
JSPR160-3Y380	3Y380	L-N	150V	440V	629V	1413V	700V
		L-G	150V	496V	640V	1360V	700V
		L-L	300V	544V	971V	1707V	1200V
JSPR160-3Y415	3Y415	L-N	320V	347V	525V	1069V	1000V
		L-G	320V	1145V	565V	1117V	1000V
		L-L	640V	491V	860V	1443V	1800V
JSPR160-3Y480	3Y480	L-N	320V	347V	525V	1069V	1000V
		L-G	320V	1145V	565V	1117V	1000V
		L-L	640V	491V	860V	1443V	1800V
JSPR160-3Y600	3Y600	L-N	420V	715V	1250V	1910V	1500V
		L-G	420V	829V	1340V	1960V	1500V
		L-L	840V	1130V	2300V	2910V	2500V
JSPR160-3H240	3H240	L-N	420V	670V	1230V	1880V	1500V
		L-N	150V	440V	629V	1413V	700V
		H-N	320V	347V	525V	1069V	1000V
JSPR160-3D240	3D240	L-G	150V	496V	640V	1360V	700V
		H-G	320V	1145V	565V	1117V	1000V
		L-L	300V	544V	971V	1707V	1000V
JSPR160-3D380	3D380	H-L	470V	980V	1250V	1640V	1500V
		N-G	150V	512V	568V	1090V	800V
		L-G	320V	759V	982V	1630V	1000V
JSPR160-3D480	3D480	L-L	320V	640V	1070V	1550V	1000V
		L-G	550V	1050V	1500V	2260V	1800V
		L-L	550V	860V	1720V	2340V	1800V
JSPR160-3D600	3D600	L-G	550V	1050V	1500V	2260V	1800V
		L-L	550V	860V	1720V	2340V	1800V
		L-G	750V	1260V	1960V	2760V	2500V
		L-L	750V	1070V	2260V	2950V	2500V

All JSPR™ systems measured limited voltages are peak values (±10%) measured from the zero reference point and are in compliance with test and evaluation procedures outlined in NEMA LS1-1992 (2000), paragraphs 2.210 and 3.10.



THE JSPR DESIGN ALLOWS FOR IT TO BE RECESSED INTO THE WALL.



DIMENSIONS

Dim	Inches (mm)
H1	10.00 (254.0)
H2	10.75 (273.1)
H3	11.50 (292.1)
W1	8.00 (203.2)
W2	6.00 (152.4)
D1	4.20 (106.9)
D2	2.00 (50.8)



Energía Verde RMS

Ahorra y contribuye con tu ambiente [®]

General Miguel Barragán #814
Aguascalientes, Ags.
01 (449) 145 2028
energiaverderms.com.mx